

## Installation Instructions for the Relialign™ RDI Series Residential Door Interlock



### GENERAL INFORMATION

Honeywell Relialign™ RDI Series Residential Door Interlock switches are electromechanical devices designed for use in residential swing door applications, specifically dumbwaiters, lifts for the mobility impaired and swing-door elevators in the USA. In Canada, the RDI is designed for use in residential swing door applications, specifically elevators and dumbwaiters but is not designed for use in lifts for the mobility impaired. The interlock holds the door in place and prevents it from being opened in potentially unsafe conditions (e.g. the elevator/lift car is not present at the door).

Featuring Honeywell MICRO SWITCH™ switches as an internal solenoid control mechanism, the Relialign™ Series of door interlocks may reduce complexity of the host controller, reduce power consumption, extend solenoid life, and reduce solenoid timeouts. Additional Honeywell MICRO SWITCH™ basic switches are used to indicate door closure and door lock status, providing an extra level of reliability. RDI Series interlocks are configurable and available in left- and right-hand versions, allowing for simplified installation, customization, and retrofitting into current designs.

Honeywell RDI series switches comply with ANSI/ASME A17.1 & A18.1 :2010, (the safety code standards for elevator and escalators), CAN/CSAB44, and UL104 standards. The snap-action cam mechanism reduces adjustment set-up time and the key engagement was designed to minimize maintenance costs due to false alarms. The RDI Series has a robust zinc die cast housing and cover with powder coat finish (white or bronze).

### ⚠ WARNING

Relialign™ Series residential door interlocks are not a sealed switch. It is not recommended to be used in the areas where liquid or oil may splash.

### ⚠ WARNING

#### RISK TO LIFE OR PROPERTY

Never use this product for an application involving serious risk to life or property without ensuring that the system as a whole has been designed to address the risks, and that this product is property rated and installed for the intended use within the overall system.

**Failure to comply with these instructions could result in death or serious injury.**

### MOUNTING

Note mounting dimension drawings for the installation locations. (See Figures 1-2). A separate mounting template provided in the product packaging will guide the installer on how to prepare for the installation of the switch. The switch shall be mounted only in vertical orientation with the conduit opening up. For the switch that use the 6-pin terminals, remove the terminal block assembly inside the housing to reach the mounting holes. Ensure that the terminal block is assembled back onto the housing securely using the screws, once the switch is mounted.

### ADJUSTMENT

The mounting template aligns the key to the center of the opening in the interlock housing allowing for door sag over time without any adjustment.

### WIRING INSTRUCTIONS

1. Remove the cover by unscrewing the cover screw(s).
2. **CAT5 option only** – Plug the mating CAT5 connector into the female receptacle on the RDI interlock.
3. **Terminal block option** – Unscrew the terminal screws. Connect wires per the schematics provided on the inside of the interlock's cover. Torque all terminal screws with a tightening torque of 0.5 Nm to 0.7 Nm.
4. Assemble back the cover. Securely tighten the screw(s). Recommended tightening torque for the cover screw(s) is 1.5 Nm max.

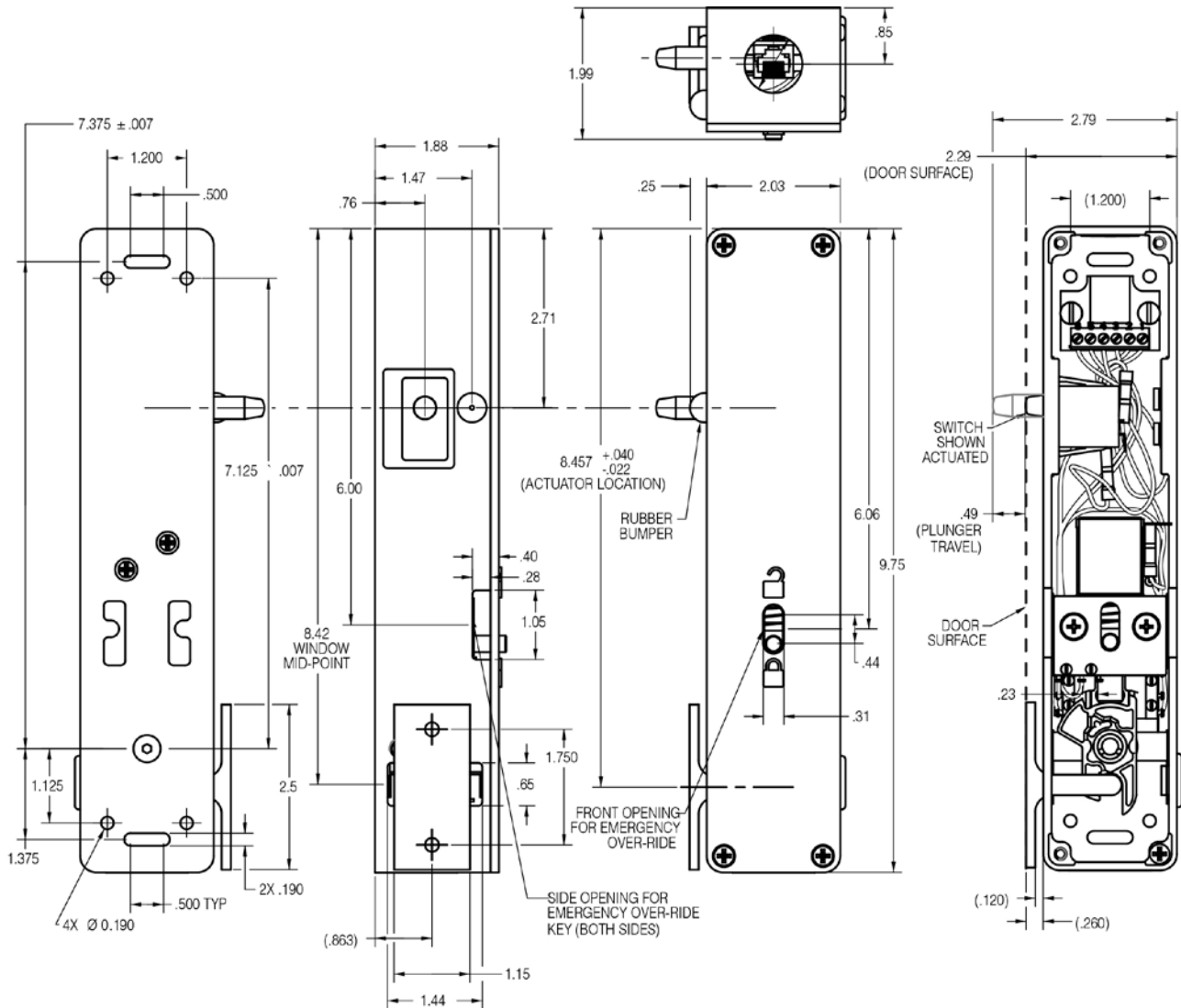
### NOTICE FOR EXTERNAL SOLENOID CONTROL OPTION:

The solenoid inside the Relialign RDI Series is rated for continuous duty. However, energy costs can be reduced by ensuring the solenoid is unpowered once the key has entered the locked position. It is recommend that the solenoid controller has a "timing out" feature that automatically cuts power to the solenoid to avoid excessive powered on intervals.

# Relialign™ RDI Series Residential Door Interlock

ISSUE 3 50079027

FIGURE 1. RDI LEFT-HAND MOUNTING DIMENSIONS (For reference only) in



## RELIALIGN™ RDI SERIES NOMENCLATURE

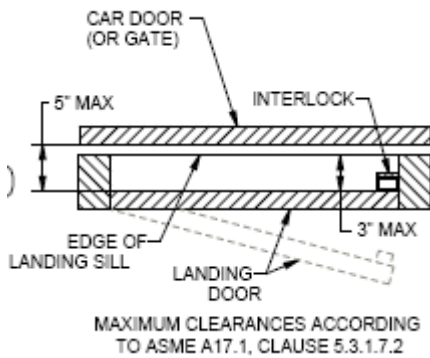
Switch Type	Cam Mat'l/ Cust. Restriction	Key Entry Position	Solenoid Type	Connector	Enclosure Color	Door Closed/ Door Locked Wiring
<b>RDI</b> Series Relialign™ Residential Door Interlock	<b>H</b> Metal	<b>R</b> Right <b>L</b> Left	ac/dc	Terminal strip <b>5</b> CAT5	White <b>B</b> Black <b>BR</b> Bronze	Series <b>P</b> Parallel



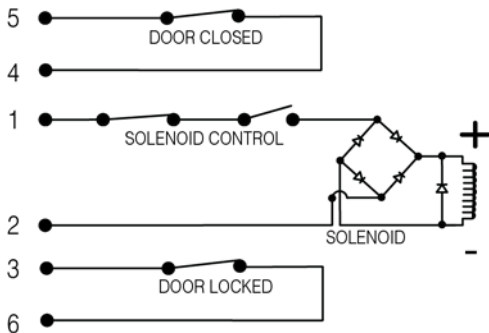
## CLEARANCE BETWEEN HOIST WAY DOORS, LANDING SILLS, AND CAR DOOR

The clearance between the hoistway doors or gates and the hoistway edge of the landing sill shall not exceed 75 mm [3 in]. The distance between the hoistway face of the landing door or gate and the car door or gate shall not exceed 125 mm [5 in]. (See Figure 3).

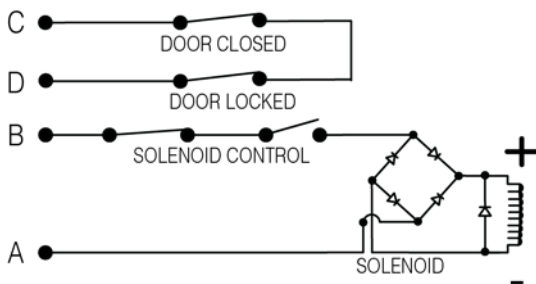
**FIGURE 3. CLEARANCE**



**FIGURE 4. WIRING SCHEMATIC**  
RDI PARALLEL CONNECTION, TERMINAL STRIP CONNECTOR



**FIGURE 6. WIRING SCHEMATIC**  
RDI SERIES CONNECTION, TERMINAL STRIP CONNECTOR



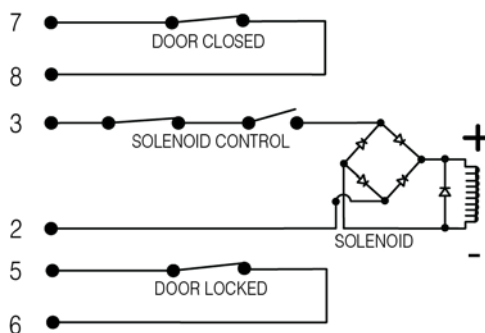
## IMPORTANT NOTICE

Strict compliance with installation instructions / mounting template is essential for safety. It is the customer's responsibility to ensure they are followed. It is imperative any wear on the actuator key or on the switch itself are identified at an early stage and the necessary corrective actions implemented (replacement), thus ensuring safety.

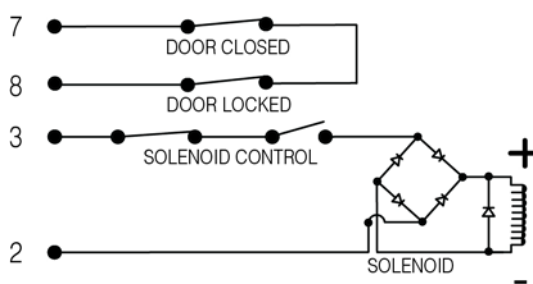
## GENERAL DIRECTIONS

- The actuator key for the switch **MUST** move freely without jamming during operation
- The alignment of the key to the switch **MUST** be checked as per the mounting template
- Visually ensure that no mechanical damage has occurred to the switch body or key. If damage is found the complete switch assembly **MUST** be replaced
- Test the switch for correct electrical operation while installed and operated normally

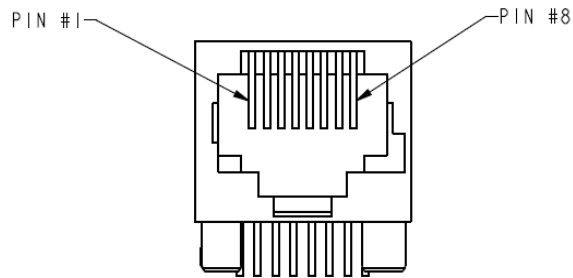
**FIGURE 5. WIRING SCHEMATIC**  
RDI PARALLEL CONNECTION, CAT 5 CONNECTOR



**FIGURE 7. WIRING SCHEMATIC**  
RDI SERIES CONNECTION, CAT 5 CONNECTOR



**FIGURE 8. CAT 5 CONNECTOR PIN DETAILS**



**SPECIFICATIONS**

<b>Endurance life</b>	55,000 operations min.
<b>Operating temperature</b>	4 °C to 38 °C [40 °F to 100 °F]
<b>Storage temperature</b>	-40 °C to 60 °C [-40 °F to 140 °F]
<b>Standards/approvals</b>	cULus listed per UL 104 Complies with ANSI/ASME A17.1, A18.1 Complies with CAN/CSA B44
<b>RDI electrical rating</b>	0.20 A max, 24 Vdc 0.35 A max., 24 Vac, 60 Hz

# Relialign™ RDI Series Residential Door Interlock

ISSUE 3 50079027

## WARRANTY/REMEDY

Honeywell warrants goods of its manufacture as being free of defective materials and faulty workmanship. Honeywell's standard product warranty applies unless agreed to otherwise by Honeywell in writing; please refer to your order acknowledgement or consult your local sales office for specific warranty details. If warranted goods are returned to Honeywell during the period of coverage, Honeywell will repair or replace, at its option, without charge those items it finds defective. **The foregoing is buyer's sole remedy and is in lieu of all other warranties, expressed or implied, including those of merchantability and fitness for a particular purpose. In no event shall Honeywell be liable for consequential, special, or indirect damages.**

While we provide application assistance personally, through our literature and the Honeywell web site, it is up to the customer to determine the suitability of the product in the application.

Specifications may change without notice. The information we supply is believed to be accurate and reliable as of this printing. However, we assume no responsibility for its use.

Honeywell serves its customers through a worldwide network of sales offices, representatives and distributors. For application assistance, current specifications, pricing or name of the nearest Authorized Distributor, contact your local sales office or:

**E-mail:** [info.sc@honeywell.com](mailto:info.sc@honeywell.com)

**Internet:** [sensing.honeywell.com](http://sensing.honeywell.com)

**Phone and Fax:**

USA/Canada +1-800-537-6945

International +1-815-235-6847

Fax +1-815-235-6545

Sensing and Control  
Honeywell  
1985 Douglas Drive North  
Golden Valley, MN 55422  
[honeywell.com](http://honeywell.com)

50079027-3-EN IL50 GLO Printed in USA  
March 2014  
Copyright © 2014 Honeywell International Inc. All rights reserved.

# Honeywell